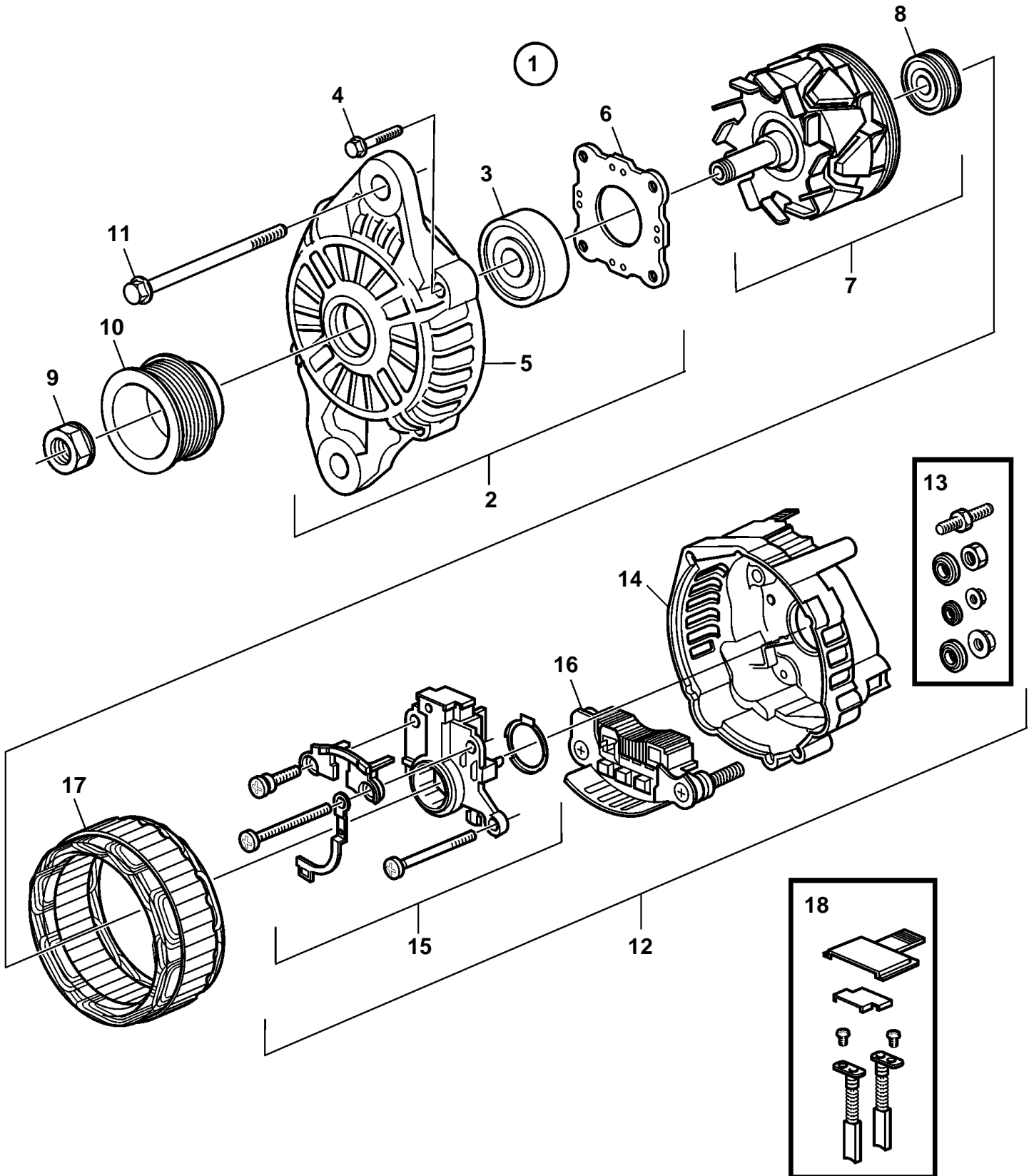


D11A-A, D11A-B, D11A-C



D11A-A, D11A-B, D11A-C

REF	PART NO.	QTY	DESCRIPTION	NOTES
1	3803846	1	Alternator, exch	14V 115A
	3803845	1	Alternator, exch	28V 80A
2		1	· Bearing housing	
3		1	· · Ball bearing	
4		1	· · Screw kit	
5		1	· · End plate	
6		1	· · Plate	
7		1	· Rotor kit	
8		1	· · Ball bearing	
9	3818955	1	· Nut set	
10	3840291	1	· Pulley	
11		1	· Screw kit	
12		1	· Bearing housing	
13	3818997	1	· · Connector kit	
14		1	· · End plate	
15	3840307	1	· · Regulator kit	
16	3818995	1	· · Rectifier	For alternator 3803846
	3840309	1	· · Rectifier	For alternator 3803845
17		1	· Stator	
18	3818999	1	· Brush set	